

BALDOR® • RELIANCE 

Product Information Packet

EM4308T-G

40//30HP, 1190//990RPM, 3PH, 60//50HZ, 364T,

Part Detail							
Revision:	A	Status:	PRD/A	Change #:		Proprietary:	No
Type:	AC	Elec. Spec:	A36WG1194	CD Diagram:	416820-002	Mfg Plant:	
Mech. Spec:		Layout:	617428-021	Poles:	06	Created Date:	02-25-2020
Base:		Eff. Date:	04-24-2020	Leads:	3#4,6#6		

Specs			
Catalog Number:	EM4308T-G	Drip Cover:	No Drip Cover
Enclosure:	TEFC	Duty Rating:	CONT
Frame:	364T	Feedback Device:	NO FEEDBACK
Frame Material:	Iron	Heater Indicator:	No Heater
Output @ Frequency:	30.000 HP @ 50 HZ	Insulation Class:	H
	40.000 HP @ 60 HZ	Inverter Code:	Inverter Ready
Synchronous Speed @ Frequency:	1200 RPM @ 60 HZ	IP Rating:	NONE
Voltage @ Frequency:	380.0 V @ 50 HZ	KVA Code:	G
	230.0 V @ 60 HZ	Lifting Lugs:	Standard Lifting Lugs
	190.0 V @ 50 HZ	Motor Lead Quantity/Wire Size:	3 @ 4 AWG
	460.0 V @ 60 HZ	Motor Type:	A36062M
XP Class and Group:	None	Mounting Arrangement:	F1
XP Division:	Not Applicable	Power Factor:	80
Agency Approvals:	CCSA US	Product Family:	General Industrial
	CSA EEV	Pulley End Bearing Type:	Ball
Auxillary Box:	No Auxillary Box	Pulley Face Code:	Standard
Base Indicator:	Rigid	Shaft Ground Indicator:	Shaft Grounding
Bearing Grease Type:	Polyrex EM (-20F +300F)	Shaft Rotation:	Reversible

Current @ Voltage:	98.800 A @ 230.0 V	Shaft Slinger Indicator:	No Slinger
	91.200 A @ 190.0 V	Speed Code:	Single Speed
	49.400 A @ 460.0 V	Motor Standards:	NEMA
	45.600 A @ 380.0 V	Starting Method:	Direct on line
Design Code:	B	Thermal Device - Bearing:	None
		Thermal Device - Winding:	None

Nameplate NP2496L

MOBIL POLYREX EM

Nameplate NP2381L							
SPEC NO.	A36-0002-1194	CAT.NO.	EM4308T-G	FRAME	364T		
HP	40//30	PHASE	3	DESIGN	B	TYPE	P
RPM	1190//990	HZ	60//50	AMB	40	SF	1.15
VOLTS	230/460//190/380	DUTY	CONT	INSUL.CLASS	H		
AMPS	98.8/49.4//91.2/45.6	ENCL	TEFC	CODE	G		
DRIVE END BEARING	65BC03J30X	NEMA-NOM-EFFICIENCY	94.1				
OPP D.E. BEARING	65BC03J30X						
SER.NO.	USABLE AT 208V @ 106 AMPS						
	VPWM INV DUTY 10:1 CT AT 1.0SF	MOTOR WEIGHT					

Parts List		
Part Number	Description	Quantity
SA379380	SA A36-0002-1194	1.000 EA
RA369378	RA A36-0002-1194	1.000 EA
421948032	LABEL, MYLAR	1.000 EA
NP2496L	MOTOR LUBE NAMEPLATE	1.000 EA
000613006PU	N/P (RELEASE QTY 10,000) UL CSA LABEL	1.000 EA
000692000VD	LABEL WARNING	1.000 EA
NP2381L	SUPER-E ,SS, CSA,CSA SUPER-3	1.000 EA
085922073B	BRKT 360 085922072WCC KB	1.000 EA
415072001B	CLAMP	1.000 EA
078559001A	+FANCV - 360	1.000 EA
034180012DA	KEY 1X4X1/4X1-1/2 L	1.000 EA
078550001M	FAN KB 60/30 (30) 360	1.000 EA
004824015A	GREASE POLYREX EM	0.540 LB
032018012DK	HHCS 1/2-13X1-1/2 PLTD.	4.000 EA
032018008AK	HHCS 1/4-20X1 PLATED	4.000 EA
032018024CK	HHCS 3/8-16X3 PLTD.	3.000 EA
415096002A	CPLG 1/8 HEX TYPE	1.000 EA
410700004F	WSHR	1.000 EA
035000001G	GREASE RELIEF FITTING, ALEMITE 317400	1.000 EA
034530052AB	P/NIP 1/8X6-1/2 GALV.	1.000 EA
034690001AB	1/8" NPT SQHDPLG	1.000 EA
034600001AA	BUSH 1/4TO1/8 BLACK	1.000 EA
034690001AB	1/8" NPT SQHDPLG	1.000 EA
034600001AA	BUSH 1/4TO1/8 BLACK	1.000 EA

Parts List (continued)		
Part Number	Description	Quantity
415045002E	SLGR	1.000 EA
085922073B	BRKT 360 085922072WCC KB	1.000 EA
032018012DK	HHCS 1/2-13X1-1/2 PLTD.	4.000 EA
032018024CK	HHCS 3/8-16X3 PLTD.	3.000 EA
035000001G	GREASE RELIEF FITTING, ALEMITE 317400	1.000 EA
077176000L	C/BOX, 360-400	1.000 EA
BP5327	SHAFT GRD BRUSH (SGR-74.7-3CFHAT2)	1.000 EA
077176001A	CBOXC, PAINTED 360-400	1.000 EA
043292000AJ	GASK 320-400	1.000 EA
402731001A	GASK 360-440	1.000 EA
418150003A	GREASE FITTING CAP	1.000 EA
032018005AK	HHCS 1/4-20X5/8 PLATED	4.000 EA
032018008CK	HHCS 3/8-16X1L PLATED	4.000 EA
035000001A	ALFTG 1/8" 1610-BL	1.000 EA
415000103D	T/LUG #4AWG-1/0AWG W/HOLE FOR .250 BOLT	1.000 EA
406099000A	PLUG - FAN COVER 320-440	1.000 EA
033512004LB	HHTTS 1/4-20X1/2 PLTD.	1.000 EA
035000001A	ALFTG 1/8" 1610-BL	1.000 EA
418150003A	GREASE FITTING CAP	1.000 EA
MG1025Y17	WILKOFASST, 789.701, SUPER E PEARL GOLD	1.000 GA
033775004EA	DRSCR #6-1/4 304 S.S.	2.000 EA
034180034HA	KEY 5/8X5/8X4-1/4 L	1.000 EA
HW1000A32	5/16 FL WASHER WIDE, ID=.344, OD=1.125	3.000 EA
032509020C	CARRIAGE BOLT - 360	3.000 EA

S/O	FRAME	HP	TYPE	PHASE/ HERTZ	RPM	VOLTS
	364TC	40	P	3/60	1190	230/460
AMPS	DUTY	AMB °C/ INSUL	S.F.	NEMA DESIGN	CODE LETTER	ENCLOSURE
98.8/49.4	CONT	40/F	1.15	B	G	TEFC
E/S	ROTOR	TEST S.O.	TEST DATE	STATOR RES. @25 °C OHMS (BETWEEN LINES)		
491378	418141-71JE	---	---	.0380/.152		

PERFORMANCE

LOAD	HP	AMPERES	RPM	% POWER FACTOR	% EFFICIENCY
NO LOAD	0	17.7	1200	5.41	0
1/4	10.0	21.6	1197	48.3	90.0
2/4	20.0	29.0	1194	69.0	93.6
3/4	30.0	38.6	1191	77.2	94.3
4/4	40.0	49.4	1188	80.5	94.2
5/4	50.0	61.0	1184	81.9	93.7

SPEED TORQUE

	RPM	% FULL LOAD TORQUE	TORQUE LB.-FT.	AMPERES
LOCKED ROTOR	0	158	280	290
PULL UP	480	136	241	270
BREAKDOWN	1135	243	430	167
FULL LOAD	1188	100	177	49.4

AMPERES SHOWN FOR 460 VOLT CONNECTION. IF OTHER CONNECTIONS ARE AVAILABLE, THE AMPERES WILL VARY INVERSELY WITH THE RATED VOLTAGE.

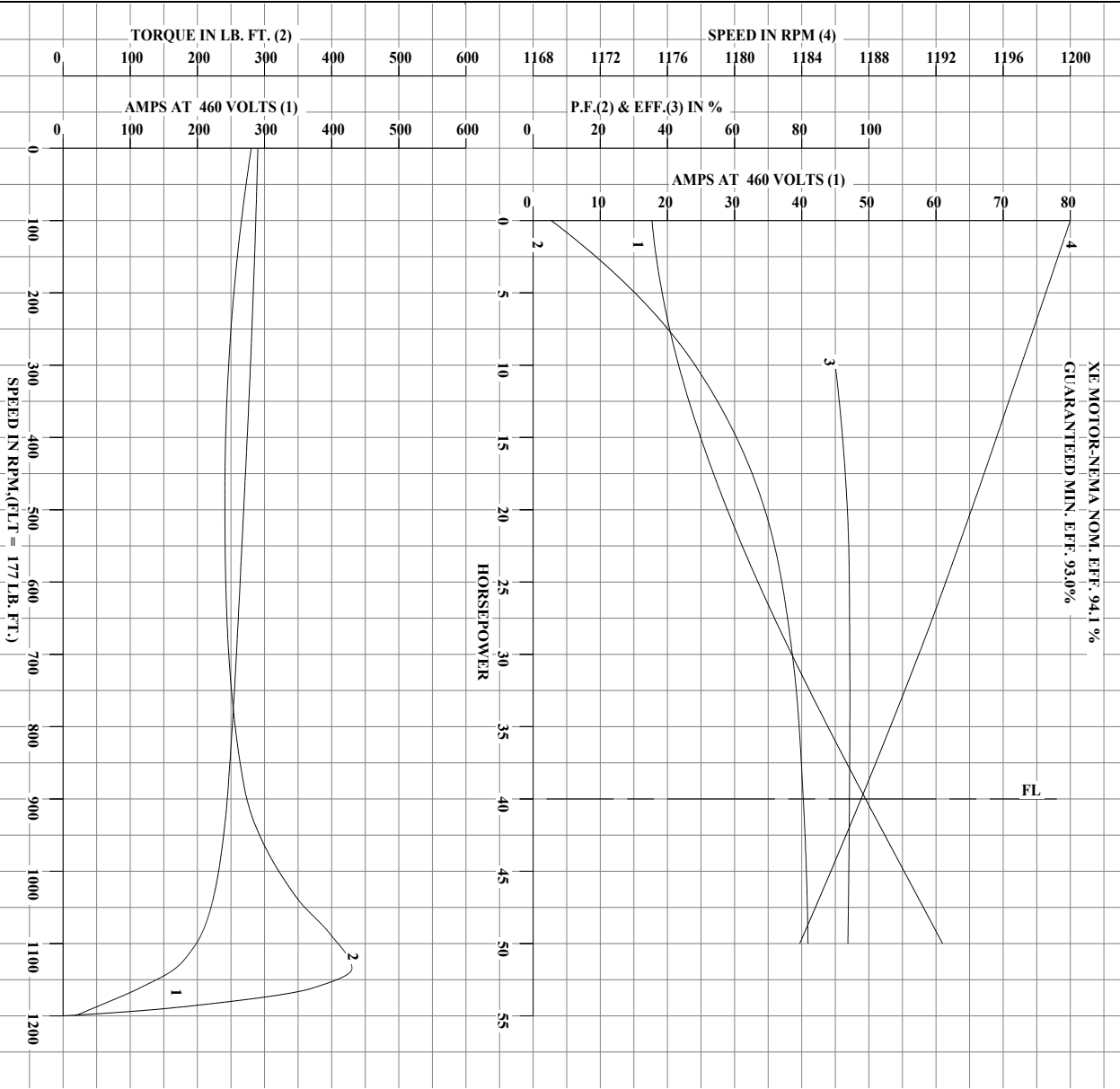
TYPICAL DATA
 XE MOTOR-NEMA NOM. EFF. 94.1 %
 GUARANTEED MIN. EFF. 93.0%

 A MEMBER OF THE ABB GROUP	DRAWN BY: T.G. KELATI	AC MOTOR PERFORMANCE DATA	A36WG1194-R012 DATE ISSUED 09/13/17
	CHECKED BY: D.H. MAY APPROVED BY: E.J. CHRISTIAN DATE: 10/12/06		

USERCHR1

Printed on 09/13/2017 8:34 AM

REL.S.O.	RPM 1190	S.F. 1.15	ROTOR 418141-71E
FRAME 364TC	VOLTS 230/460	NEMA DESIGN B	TEST S.O. TYPICAL DATA
HP 40	AMPS 98.8/49.4	CODE LETTER G	TEST DATE --
TYPE P	DUTY CONT	ENCLOSURE TEFCC	STATOR RES. @ 25°C .0380/152
PHASE/HERTZ 3/60	AMB °C/INSUL 40/F	E/S 491378	OHMS (BETWEEN LINES)



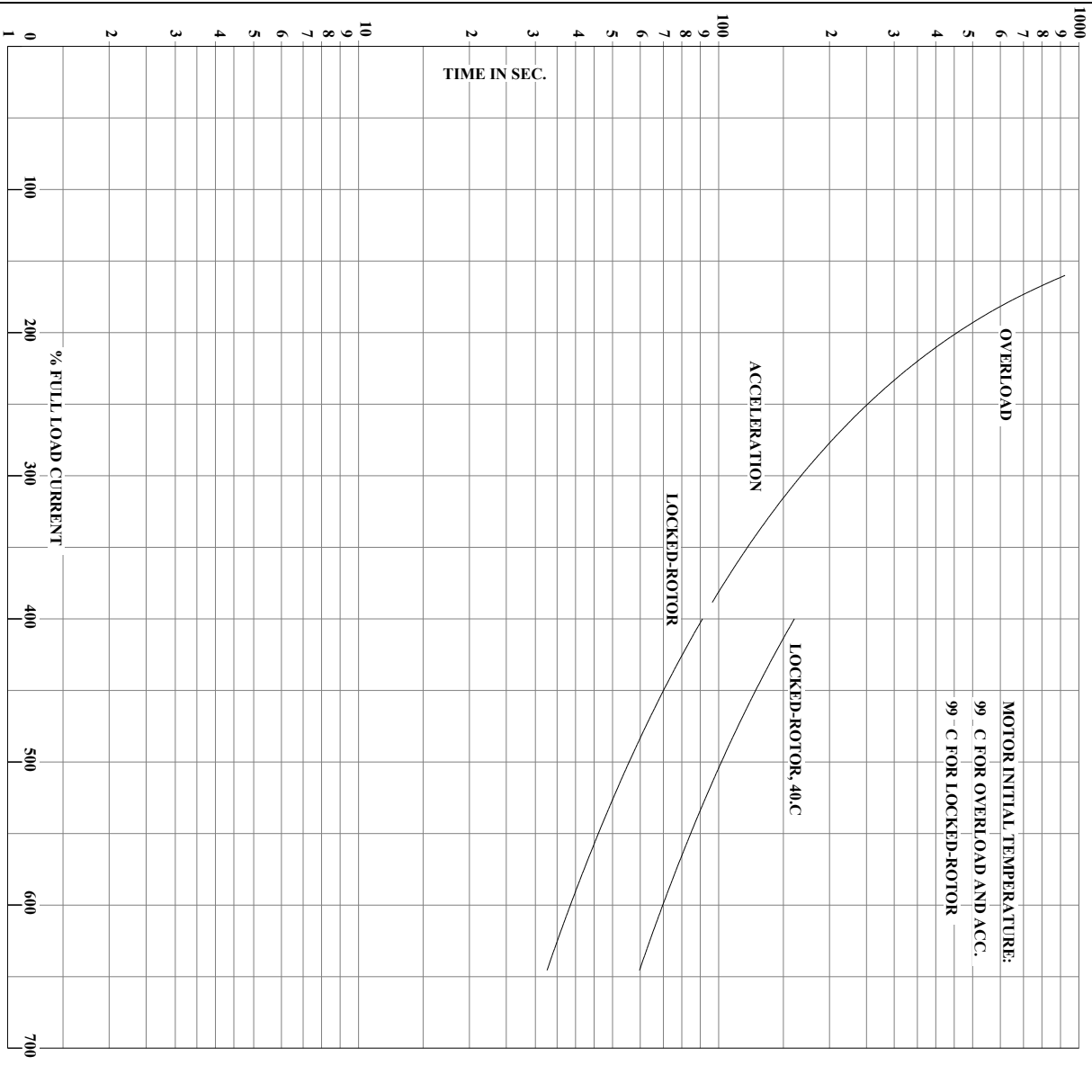
AMPERES SHOWN FOR 230/460 VOLT CONNECTION, IF OTHER VOLTAGE CONNECTIONS ARE AVAILABLE, THE AMPERES WILL VARY INVERSELY WITH THE RATED VOLTAGE.

<p>BALDOR A MEMBER OF THE ABB GROUP</p>	DRAWN BY: T.G. KELATTI CHECKED BY: D.H. MAY APPROVED BY: E.J. CHRISTIAN DATE: 10/12/06	AC MOTOR PERFORMANCE DATA	A36WG1194-R012 ISSUE DATE: 09/13/17
--	---	---------------------------------	--

USERCHR1

Printed on 09/13/2017 8:34 AM

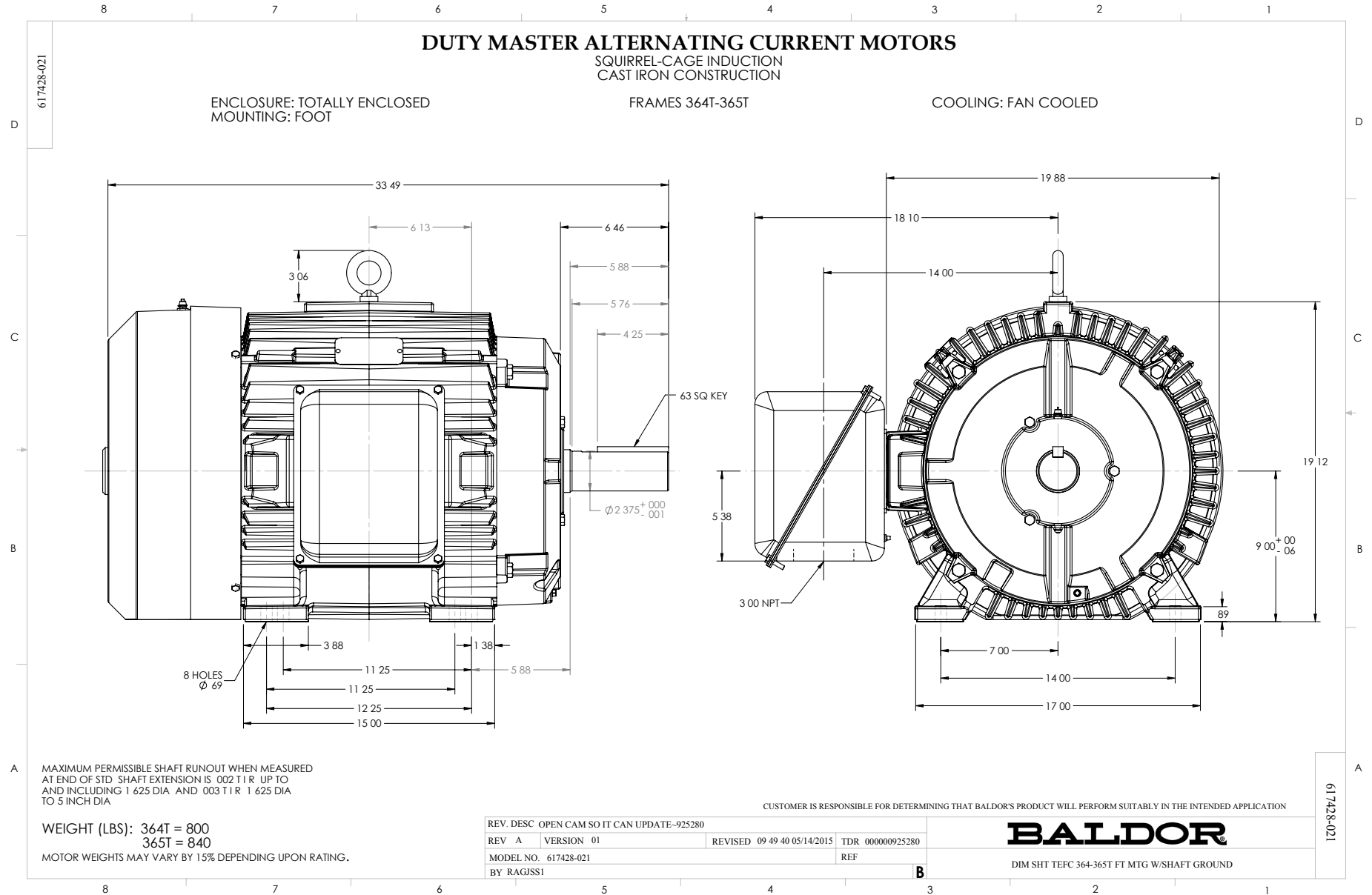
REL.S.O.	FRAME 364TC	RPM 1190	S.F. 1.15	ROTOR 418141-71E
HP 40	VOLTS 230/460	AMPS 98.8/49.4	NEMA DESIGN B	TEST S.O. TYPICAL DATA
TYPE P	DUTY CONT	AMB °C/INSUL 40/F	CODE LETTER G	TEST DATE --
PHASE/HERTZ 3/60			ENCLOSURE TEF C	STATOR RES. @ 25°C .0380/152
			E/S 491378	OHMS (BETWEEN LINES)



<p>BALDOR A MEMBER OF THE ABB GROUP</p>	DRAWN BY: T.G. KELATI CHECKED BY: D.H. MAY APPROVED BY: E.J. CHRISTIAN DATE: 10/12/06	AC MOTOR PERFORMANCE DATA	A36WG1194-R012 ISSUE DATE: 09/13/17
	USERCHR1		

USERCHR1

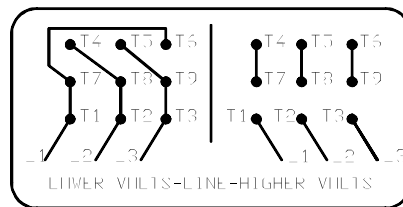
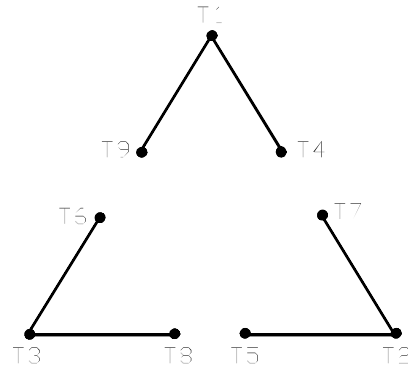
Printed on 09/13/2017 8:34 AM



WEIGHT (LBS): 364T = 800
365T = 840
MOTOR WEIGHTS MAY VARY BY 15% DEPENDING UPON RATING.

416820-002

A-C MOTOR
 CONNECTION DIAGRAM
 STANDARD 9 LEAD DELTA-CONNECTED



(N.P. 1575-B)

416820-002

REV. DESC: FONT CHANGE FOR PDF SEARCHABLE		
REV. LTR: A	VERSION: 01	TDR: 000001009382
FILE: \MGA\00000\661	REVISED: 02:46:19 02/13/2020	BY: MGHMTT
MTL: -	⊙ □	

BALDOR - RELIANCE®

CONN DIAG - STANDARD 9 LEAD, DELTA-CONNECTED

SH 1 of 1

Marketing maintained PDF of MN408:

[MN408?ManNumber=MN408](#)

Marketing maintained PDF of MN416:

[MN416?ManNumber=MN416](#)